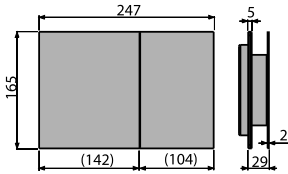




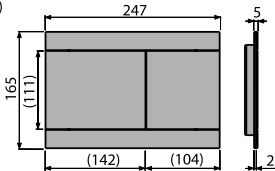
AIR ■ FUN ■ STING ■ STRIPE ■ TURN

(OLD VERSION)

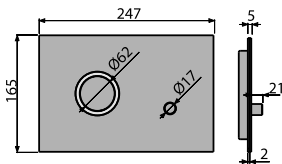


AIR, AIR-INOX

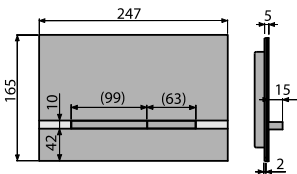
(OLD VERSION)



FUN, FUN-ANTIC, FUN-BEECH, FUN-INOX, FUN-OAK WHITE, FUN-TEAK, FUN-WENGE, FUN-WHITE, FUN-BLACK, FUN-BRASS

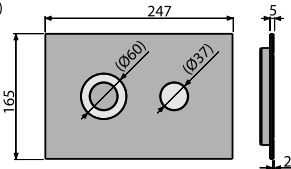


STING, STING-INOX



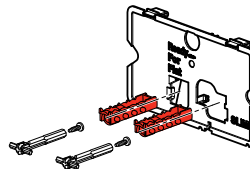
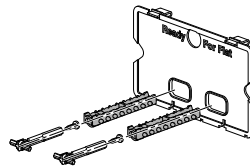
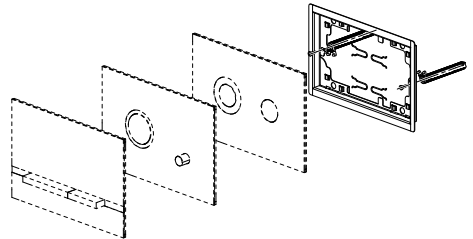
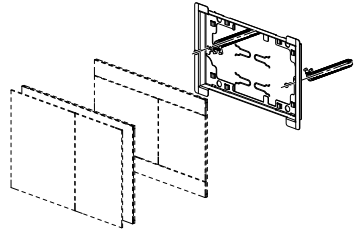
STRIPE, STRIPE-BEECH, STRIPE-BLACK, STRIPE-INOX, STRIPE-OAK WHITE, STRIPE-TEAK, STRIPE-WENGE, STRIPE-WHITE, STRIPE-GLASS WHITE, STRIPE-GLASS BLACK

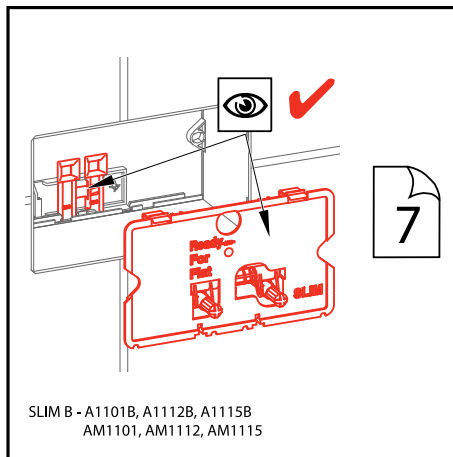
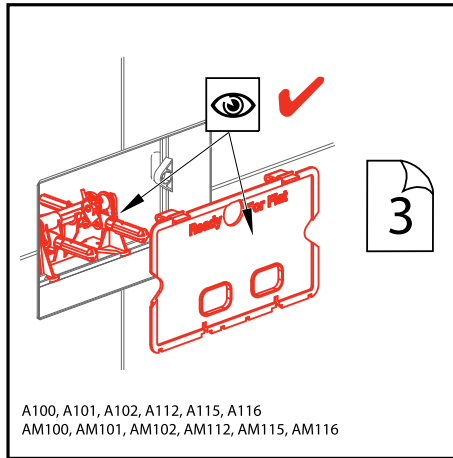
(OLD VERSION)



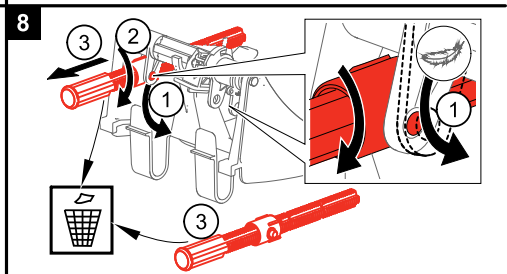
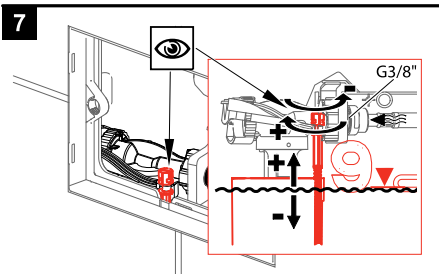
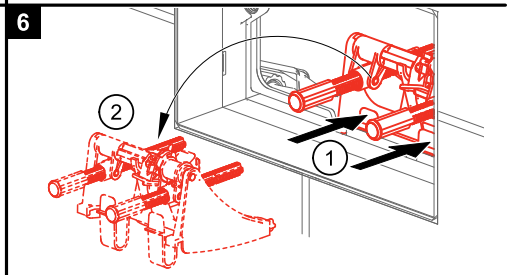
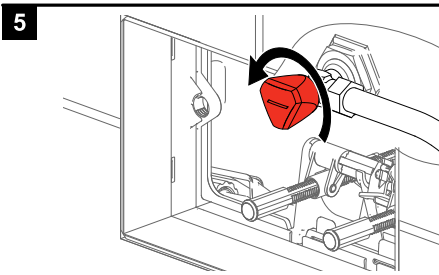
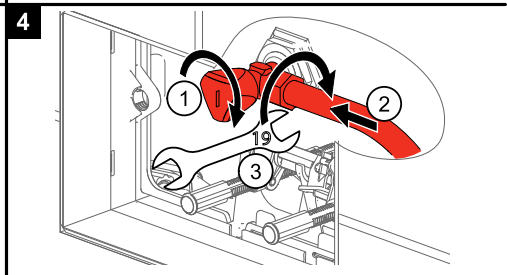
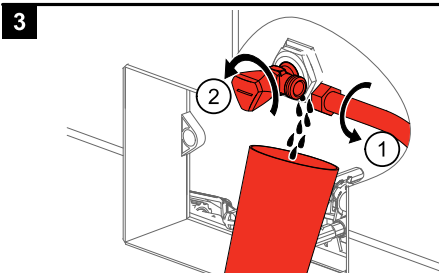
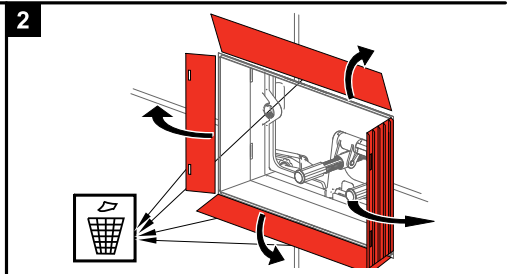
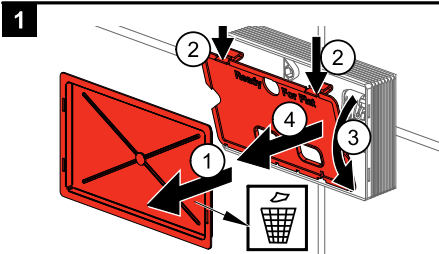
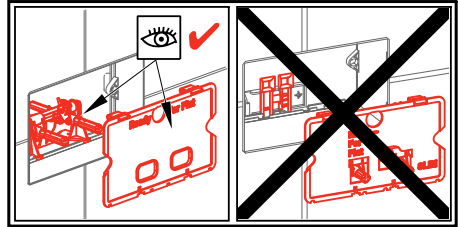
TURN, TURN-INOX

[mm]

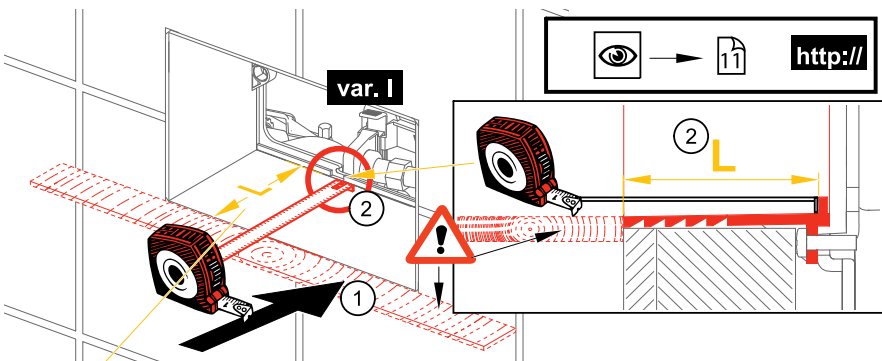




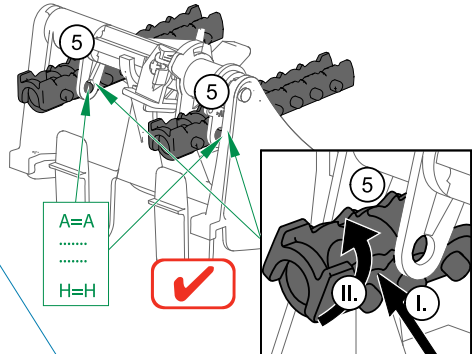
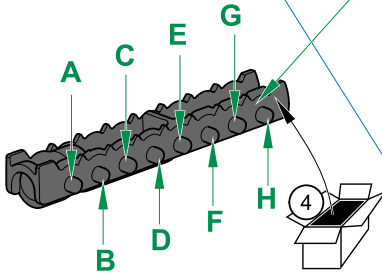
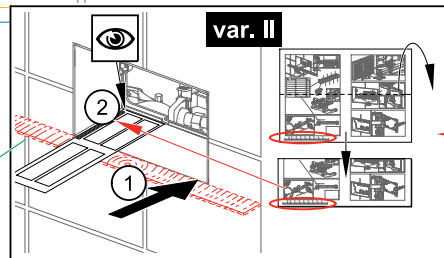
A100, A101, A102, A112, A115, A116
 AM100, AM101, AM102, AM112, AM115, AM116



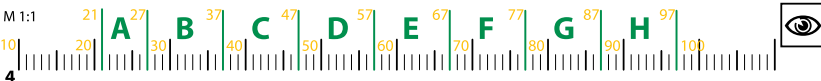
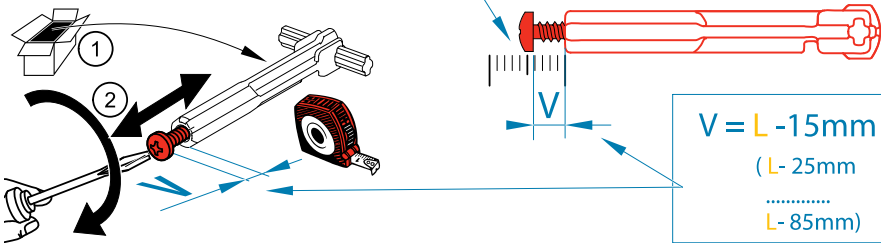
9



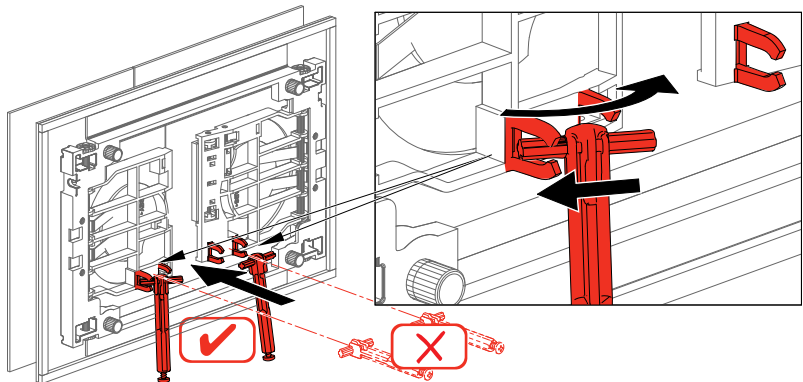
L	V	
21 ÷ 27 mm	V = L - 15 mm	A
27 ÷ 37 mm	V = L - 25 mm	B
37 ÷ 47 mm	V = L - 35 mm	C
47 ÷ 57 mm	V = L - 45 mm	D
57 ÷ 67 mm	V = L - 55 mm	E
67 ÷ 77 mm	V = L - 65 mm	F
77 ÷ 87 mm	V = L - 75 mm	G
87 ÷ 97 mm	V = L - 85 mm	H



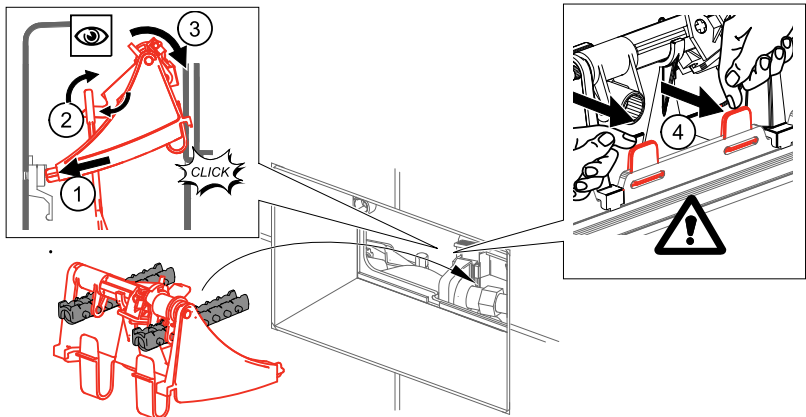
10



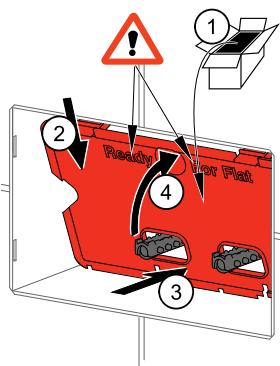
11



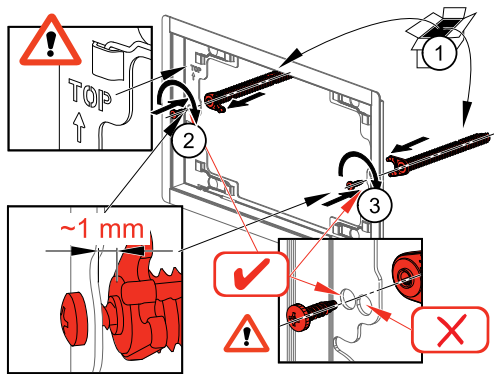
12



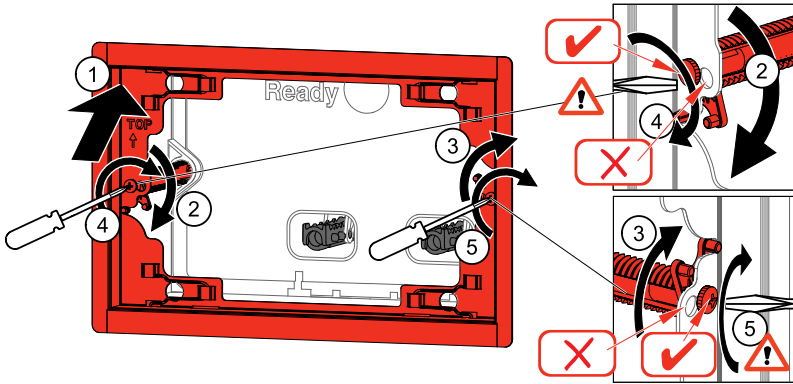
13



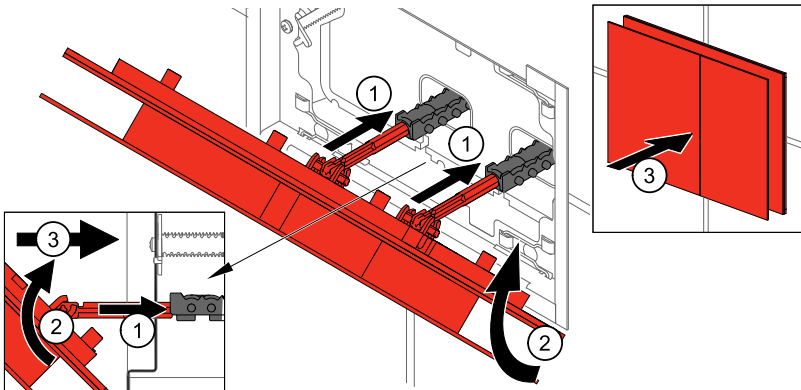
14



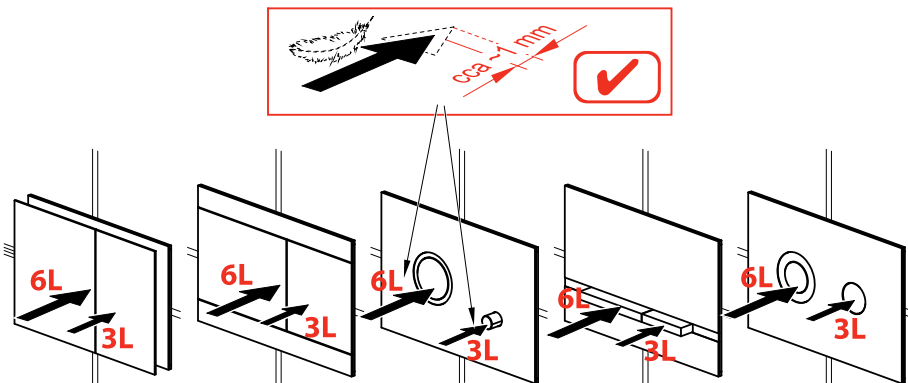
15



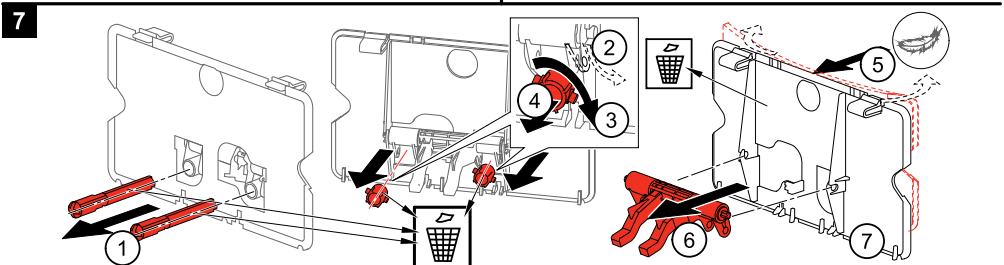
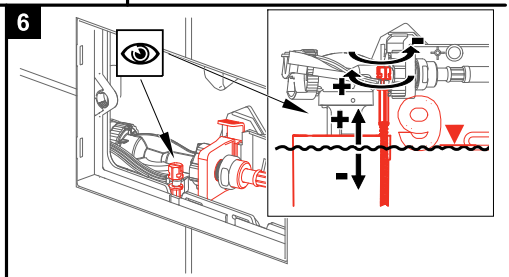
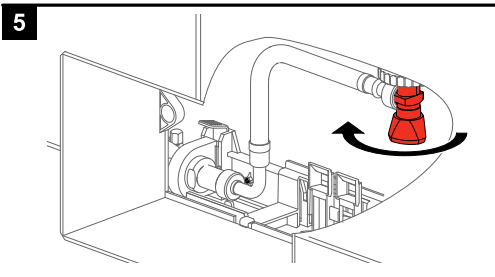
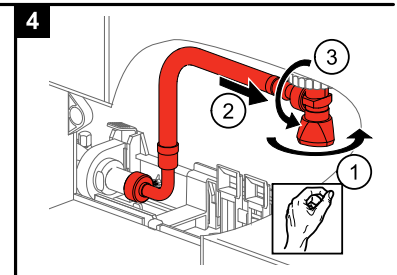
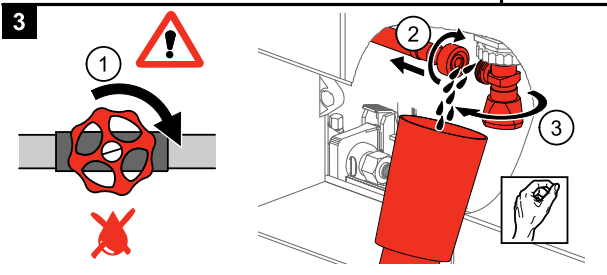
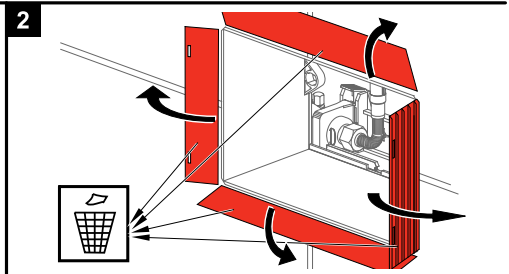
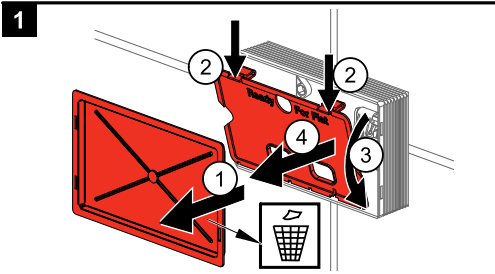
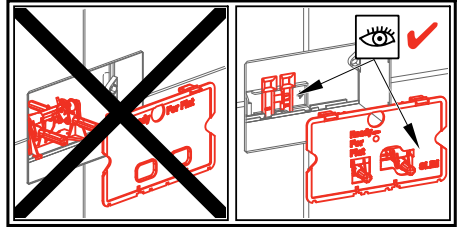
16

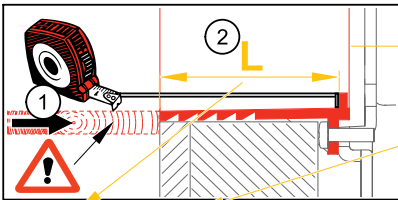
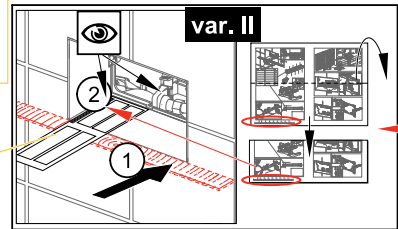
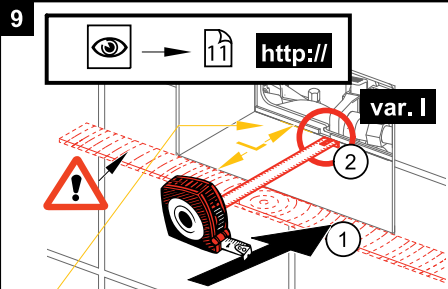
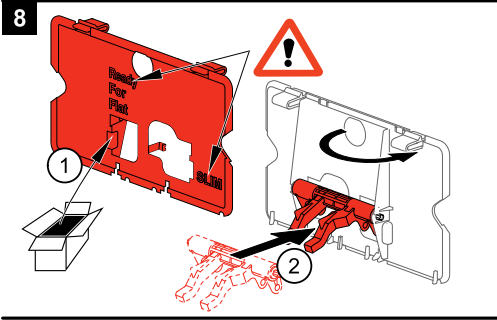


17

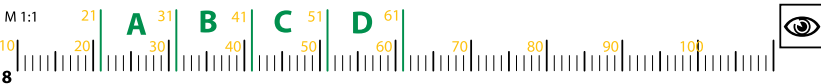
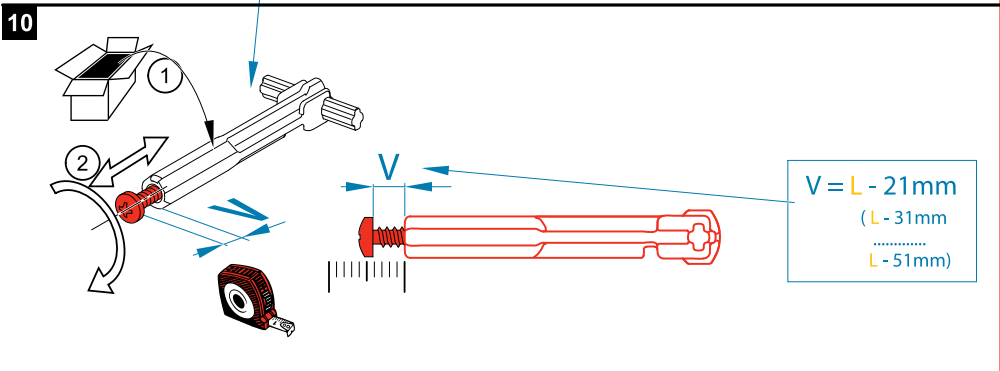
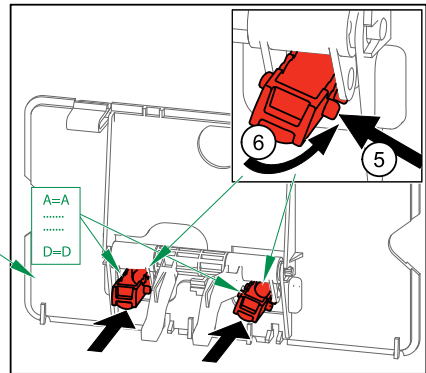
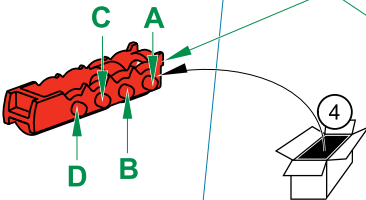


SLIM B - A1101B, A1112B, A1115B
AM1101, AM1112, AM1115

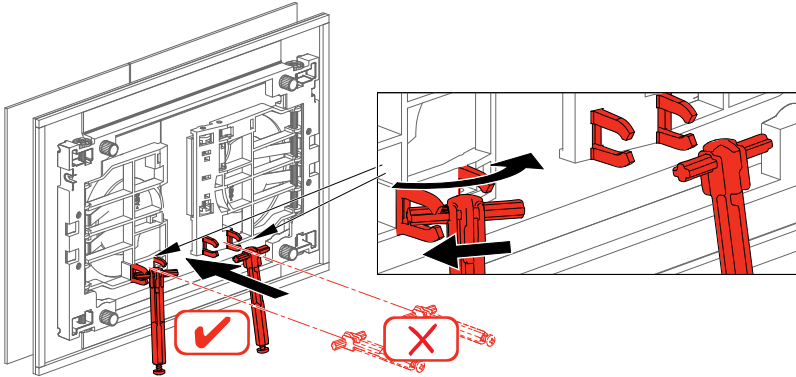




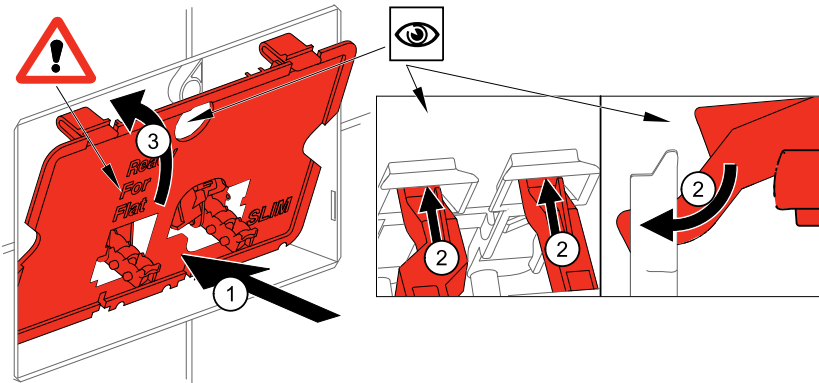
(3)	V	
21 + 31 mm	$V = L - 21 \text{ mm}$	A
31 + 41 mm	$V = L - 31 \text{ mm}$	B
41 + 51 mm	$V = L - 41 \text{ mm}$	C
51 + 61 mm	$V = L - 51 \text{ mm}$	D



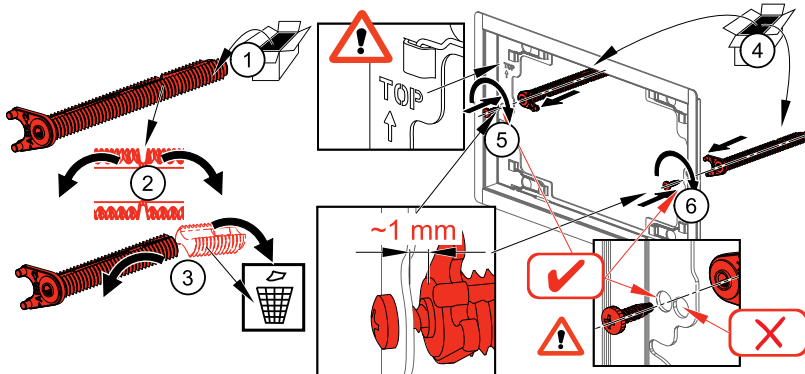
11



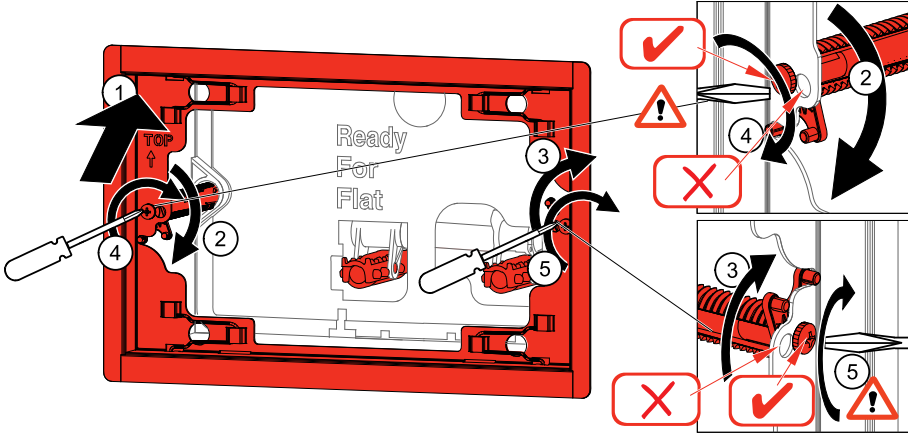
12



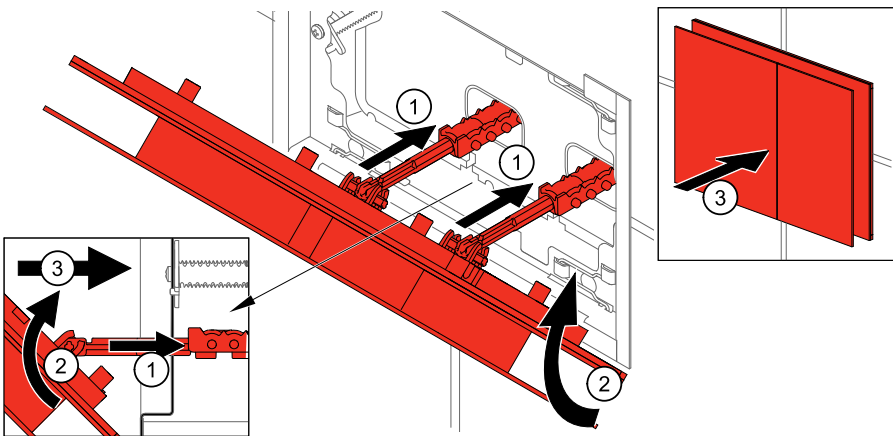
13

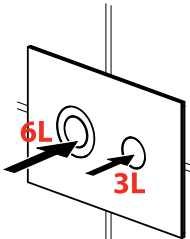
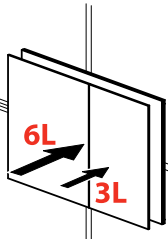
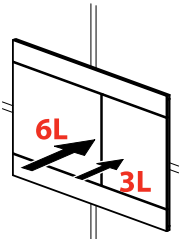
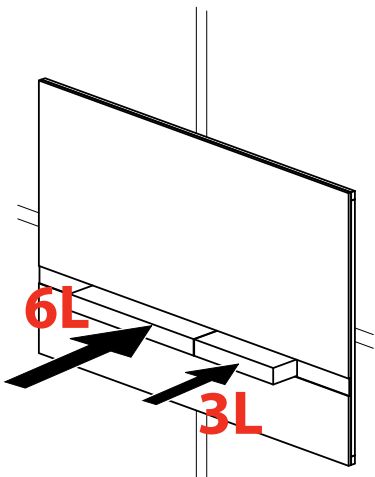
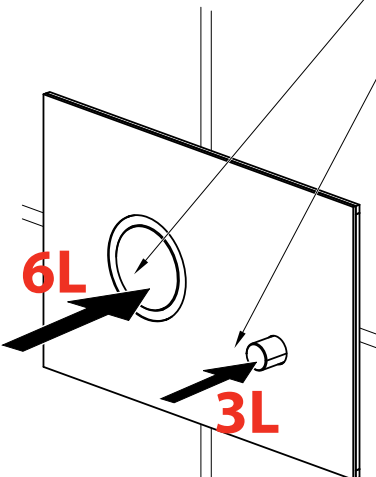
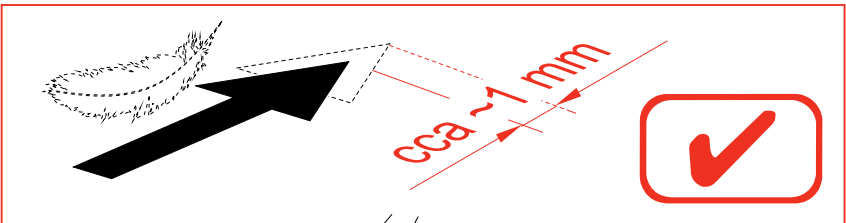


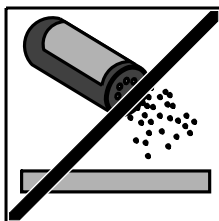
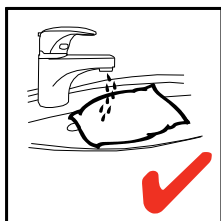
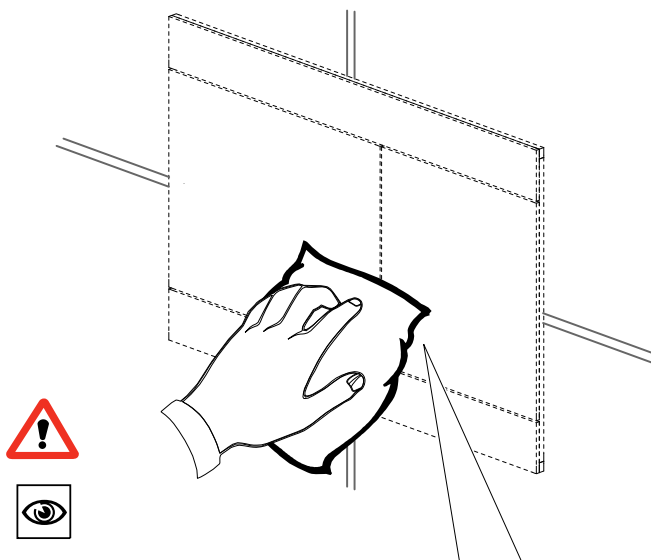
14



15







Žíravina / Alkali /
Caustic / Cl